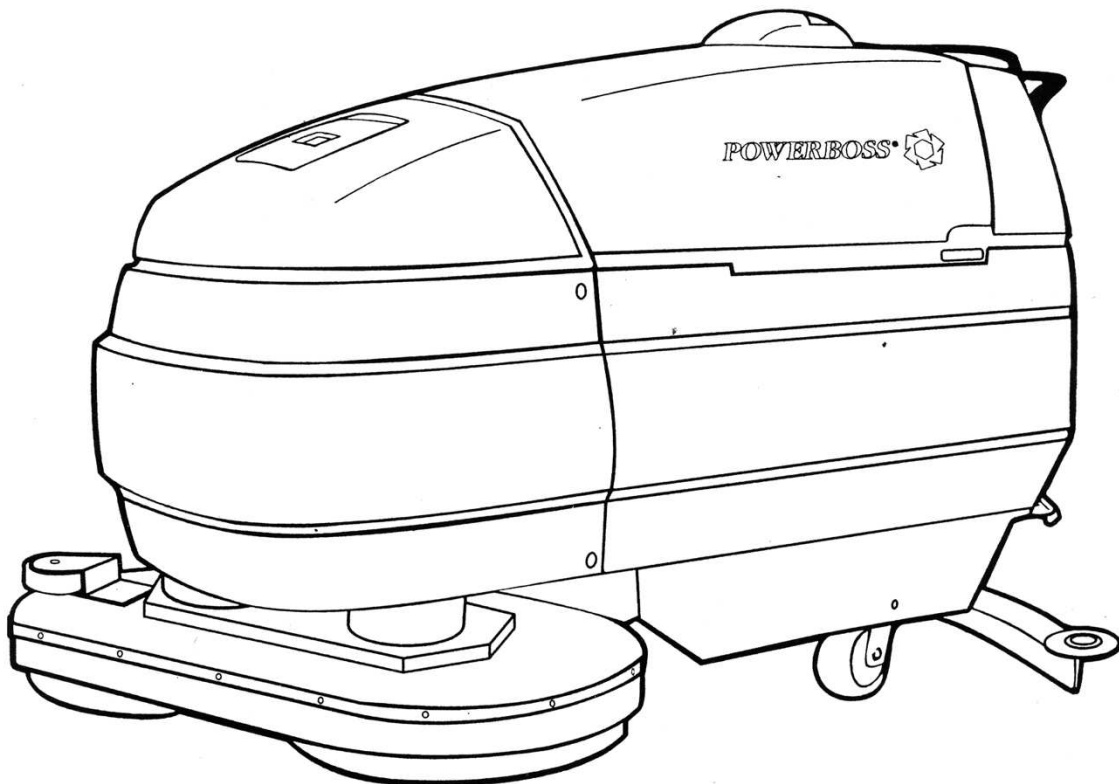


# **POWERBOSS®**

## **PARTS MANUAL**

SERVICE • PARTS

**SB34/SB85**



**AAR POWERBOSS, INC.**

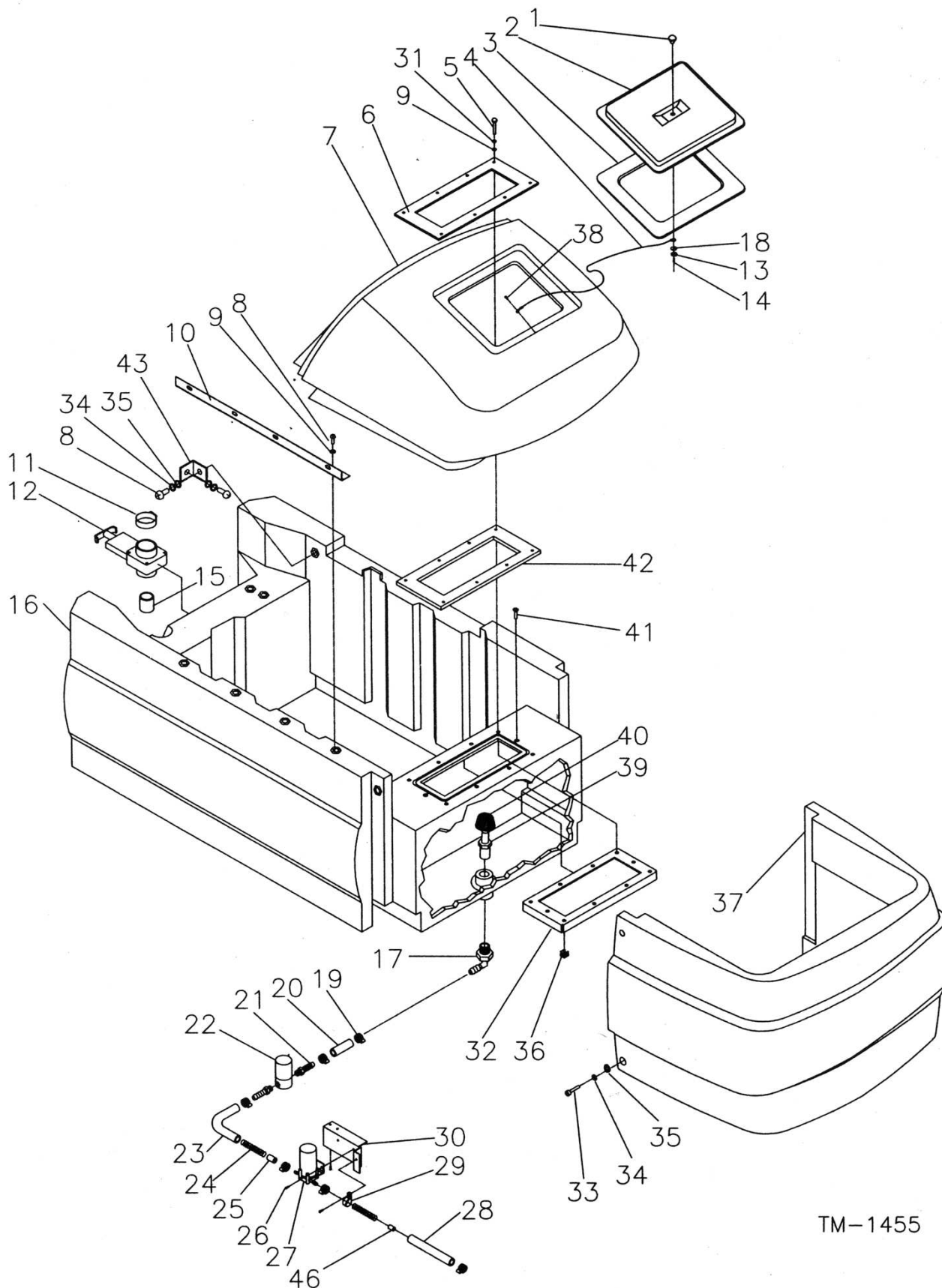


Anderson & Taylor Streets / P.O. Box 1227  
Aberdeen, NC 28315 U.S.A.

Phone: (910) 944-2105 / FAX: (910) 944-3199

EDITION 1  
MARCH 1996  
083364

# SB34/SB85 SOLUTION TANK ASSEMBLY



TM-1455

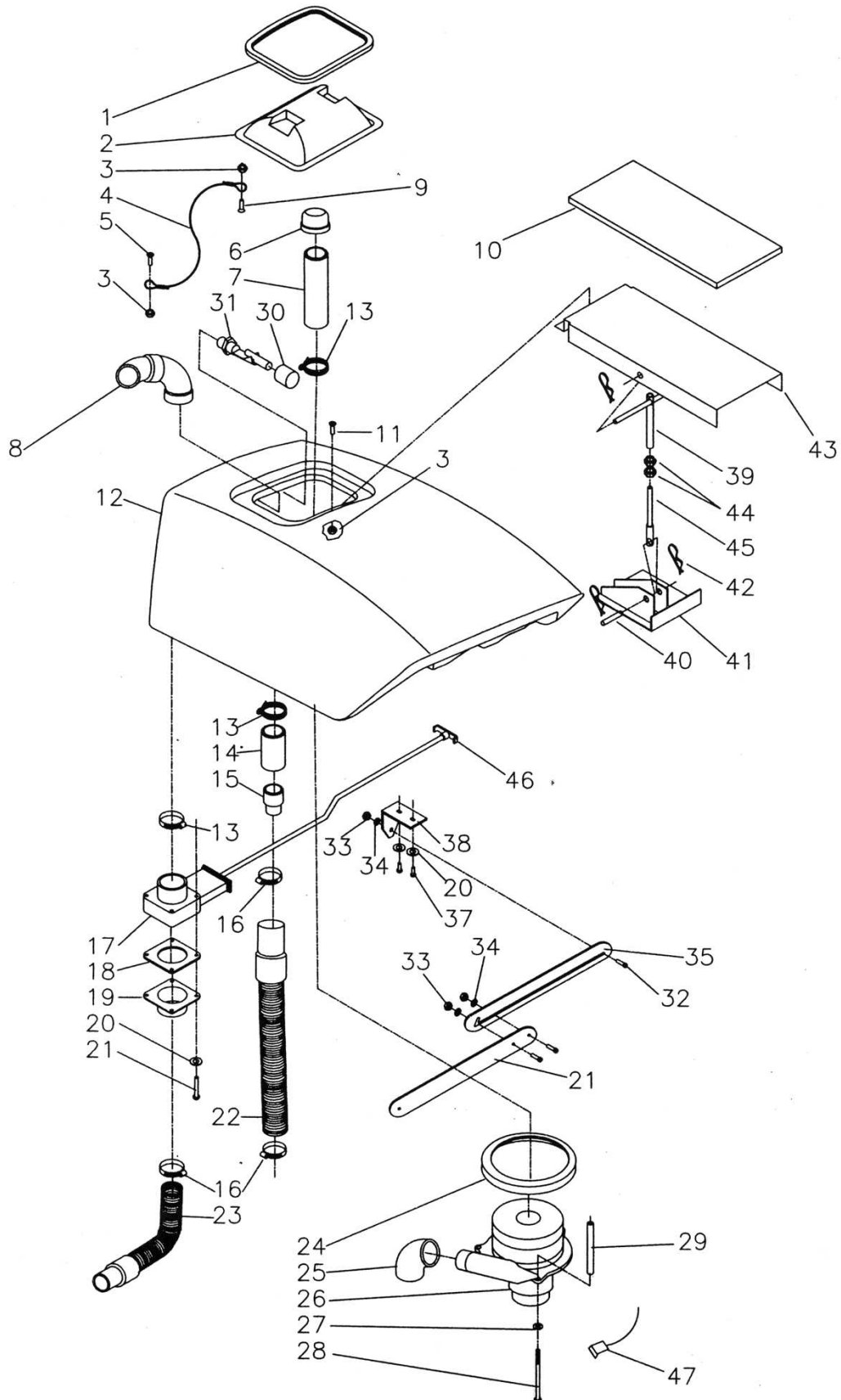
# SB34/SB85 SOLUTION TANK PARTS LIST

DET.	PART NO.	DESCRIPTION	QUANT.	DET.	PART NO.	DESCRIPTION	QUANT.
1	048022	KNOB	1	24	053321	SPRING,COMP—.480D,2.75L,.059W	4
2	056250	LID,TANK—DURASCRUB	1	25	056770	TUBE,VINYL—.375X.500,.750L	2
3	056379	GASKET,FOAM—EXTR.RECOVERY	1	26	005316	SCR TPG F PAN HD 10-24X.375L	5
4	053793	WIRE ROPE—.062 DIA X 10.50L	1	27	035257	ASM,PUMP—12V,1GPM	1
5	002477	SCR CAP HEX HD .25-20X1.50L,SS	8	28	057083	TUBE,VINYL-.500ID,.750OD,10"L	1
6	056524	PLATE,SS—11GA,5.75X13.00	1	29	056682	CLAMP,TUBE—.750CLAMP DIA.	1
7	056967	TANK,FRT—MACH'D,33&39 PWRBOSS	1	30	056659	BRACKET,WATER PUMP—	1
8	002247	SCR MACH RD HD .250-20X.625L	4	31	002278	WSHR LK .262ID.489OD.062TSPLT	8
9	004207	WSHR FLT .281ID.562OD.063T BRS	12	32	056338	FRAME,CLAMP—TANK SEAL	1
10	056514	HINGE,BUTT—RS 056291,BLACK	1	33	002471	SCR CAP SOC HD—.25-20X1.25 L	4
11	049999	CLAMP,HOSE—2.25 MAX DIA, WORM	1	34	004254	WSHR LK .267ID.510OD.028T EXT	4
12	055070	VALVE,SLIDE—SHUTOFF,1.5PIPE,T	1	35	004208	WSHR FLT .281ID.500OD.036T STL	4
13	004253	WSHR LK .204ID.410OD.025T EXT	1	36	005628	NUT,SELF-RETAINING—1/4-20,SS	10
14	005456	SCR MACH PAN HD 10-24X.500L	1	37	056648	COVER,FRONT—FLAME TREATED	1
15	056593	TUBE,PLSTC—1.66-1.50 REDUCER	1	38	002382	SCR TPG F PAN HD 10-B X.500L	1
16	056370	TANK,SKIRT—AUTOS,MACHINED	1	39	051207	ADPTR,PP-HS—1/2 MPTX3/8HS,PLS	1
17	056231	ELBOW,PLASTIC—1/2MPTX1/2BARB	1	40	057209	LINE STRAINER—80 MICRON,S.S.	1
18	005407	WSHR FLT .203ID.562OD.045T STL	1	41	002475	SCR MACH FLAT HD .250-20X.750L	2
19	051117	CLAMP,HOSE—.875 MAX DIA, WORM	6	42	056523	GASKET,FOAM—5.75X13.00,.375T	1
20	051514	TUBE,VINYL—.500X.750, 2.25L	1	43	056857	BRACKET,ANGLE—11GA,1.50WIDE	2
21	006142	ADPTR,PP-HS—3/8 MPTX1/2HS,BRS	2	45	002480	SCR MACH PAN HD .250-20X.625L	4
22	027145	VALVE,SOLENOID—24V	1	46	057226	SPACER,SS—.113ID,.500OD,0.50L	1
23	048505	TUBE,VINYL—.500X.750, 6.75L	1				

## AVAILABLE ASSEMBLIES

035306 ASM, SOLUTION TANK--INCLUDES ITEMS 1-7, 11-18, 31-32, 36, 38-42

# SB34/SB85 RECOVERY TANK ASSEMBLY



TM-1461

# SB34/SB85 RECOVERY TANK PARTS LIST

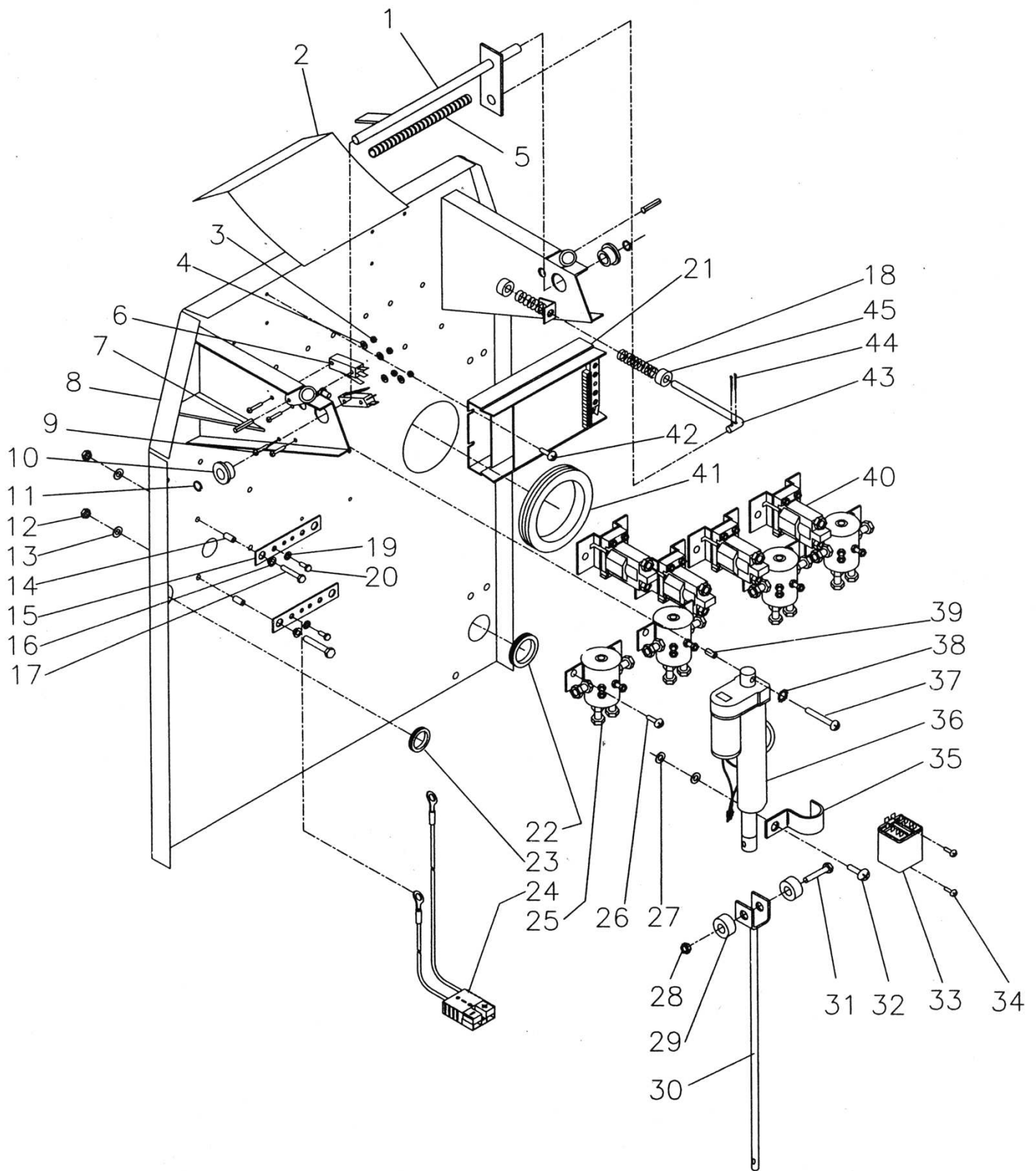
DET. PART NO.	DESCRIPTION	QUANT.	DET. PART NO.	DESCRIPTION	QUANT.		
1	056379	GASKET,FOAM—EXTR.RECOVERY	1	24	E23788B	RING-MOTOR MOUNTING	1
2	057579	LID,DOMED—DURASCRUB,CLEAR	1	25	056676	ELBOW,PIPE—RS 98402,CUT OFF	1
3	005480	NUT,HEX LOCK— 10-24,NYLOC	3	26	035240	ASM,VAC MTR—36V,3-STAGE	1
4	056617	WIRE ROPE—.062DIA X 6.00L	1	27	004254	WSHR LK .267ID.510OD.028T EXT	7
5	002382	SCR TPG F PAN HD 10-B X.500L	1	28	223213	SCR CAP HEX HD .250-20X4.00L	3
6	056793	FILTER,SCREEN—1.85ID,SS	1	29	056764	SPACER,PHEN—.265X.500,3.156L	3
7	055494	PIPE,PVC—1.50 SCH40 X 6.00L	1	30	057318	ADPTR,FLOAT—DURA SCRUB	1
8	056758	ASM,ELBOW—RECOVERY TANK	1	31	057002	SWITCH,FLOAT W/WIRE	2
9	002449	SCR MACH PAN HD 10-24X.875L,SS	4	32	002433	SCR SHLDR SOC HD .250X.500L	3
10	057076	GASKET,SUPPORT—33&39AUTO	1	33	222258	NUT,HEX—.250-20,SS	3
11	002491	SCR MACH FLAT HD 10-24X1LSS	1	34	005433	WSHR FLT .281ID.750OD.120T STL	3
12	057346	TANK,REC—MACH'D,SB34VS,100VS	1	35	057508-02	BAR,STL—11GA,W/SLOT,PLATED	1
13	049999	CLAMP,HOSE—2.25 MAX DIA,WORM	3	37	001273	SCR MACH RD HD 10-32X.500L	2
14	056675	TUBE,PVC—AUTO	1	38	057504-02	BRACKET,STL—11GA,PLATED	1
15	053894	FITTING—REDUCER,1.58-1.50,PLS	1	39	035326	WDMT,SUPPORT—AUTOS	1
16	046688	CLAMP,HOSE—1.75 MAX DIA,WORM	2	40	057026	PIN,STL—3/8"OD,SS	1
17	057337	VALVE,SLIDE—33SS	1	41	035365	WDMT,VAC TANK—SUPPORT,33&39	1
18	054762	GASKET,FOAM—.187X2.87X2.87	1	42	004352	PIN,LOCK—.125 DIA WIRE	4
19	035160	WDMT,DRAIN—RECOVERY TANK	1	43	057075	PLATE,STL—VAC TANK SUPPORT	1
20	004253	WSHR LK .204ID.410OD.025T EXT	2	44	003438	NUT,HEX JAM—.375-16,SST	2
21	057505-02	BAR,STL—11GA,PLATED	1	45	035327	WDMT,SUPPORT—REC TANK	1
22	035129	ASM,HOSE—TANK,1.50 DIA,BLK	1	46	057187	HANDLE,SLIDE VALVE—SERVICE	1
23	035179	ASM,HOSE—DUMP,BLK,1,50 DIA	1	47	039428	BRUSH,MTR—FOR 024373 VAC MTR	2

## AVAILABLE ASSEMBLIES

035461 ASM, RECOVERY TANK--INCLUDES ITEMS 1-15, 17-21, 24-35, 37-47

TM-1579

# SB34/SB85 BACK PANEL ASSEMBLY



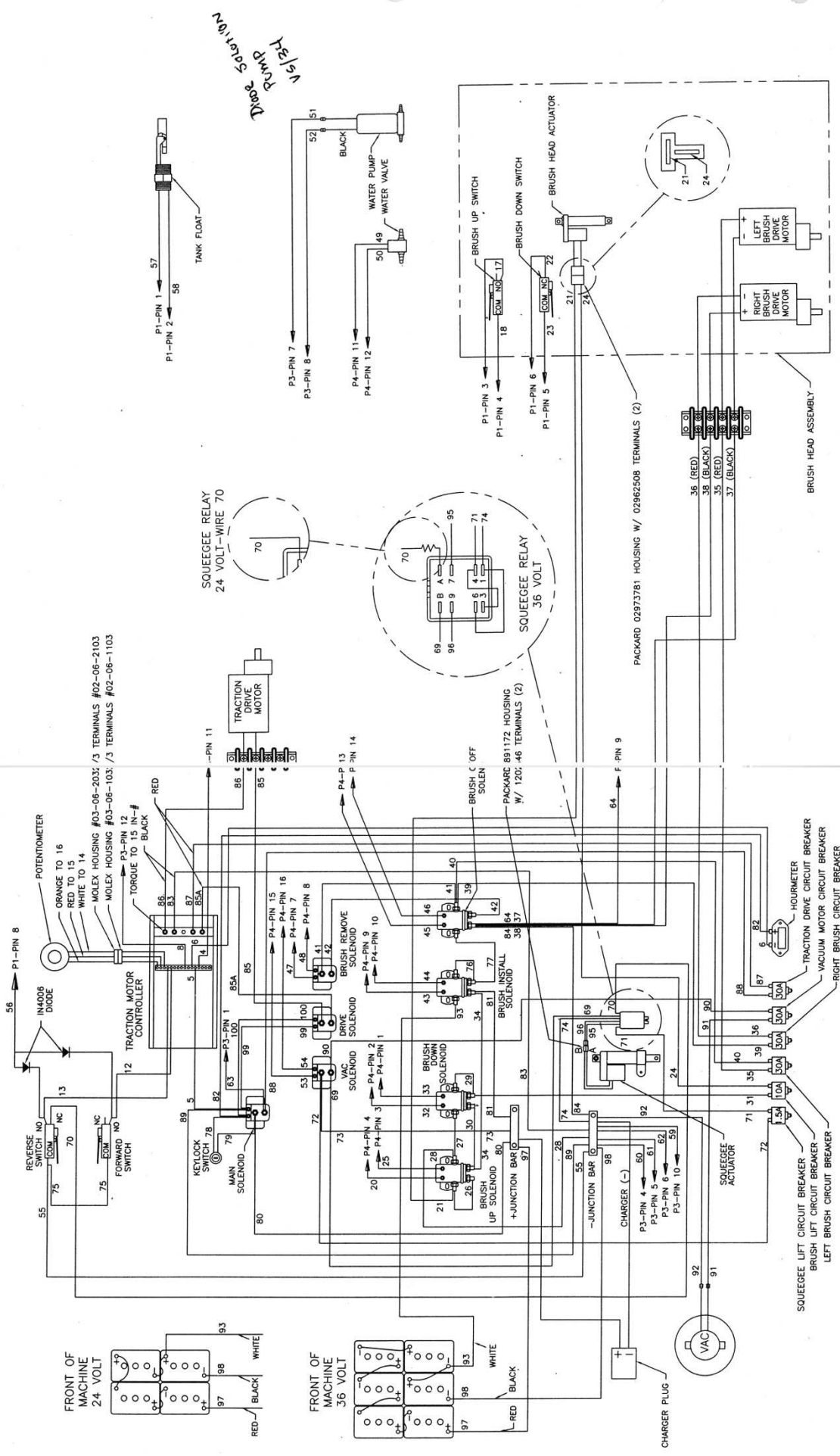
TM-1458

# SB34/SB85 BACK PANEL PARTS LIST

DET. PART NO.	DESCRIPTION	QUANT.	DET. PART NO.	DESCRIPTION	QUANT.		
1	035384	WDMT,SHAFT—ACTUATOR	1	24	027152	ASM,CHARGER PLUG—2 CNDCT	1
2	027076	INSULATION BARRIER—SPLASH CVR	1	25	026713	SOLENOID,DP—SWITCH, 24V	4
3	003274	NUT,HEX— 6-32,ZN PLT	4	26	001514	SCR TPG F PAN HD .250-20X.375L	16
4	004250	WSHR LK .148ID.250OD.031TSPLT	4	27	004336	WSHR FLT .281ID.875OD.125T STL	2
5	057176	TUBE,PLSTC—SLIT,.81ODX11.0"L	1	28	003363	NUT,HEX LOCK—.250-20,ZN PLT	1
6	026603	SWITCH,LVR—DPST,20A,125-250V	2	29	050575	SPACER,PHEN—.281X.875, .375L	2
7	005624	PIN,ROLL—.312DIA,1.000"L	2	30	035183	WDMT,ACTUATOR—SQUEEGEE	1
8	035463	WDMT,BACK PANEL—KA-33SS	1				
9	001248	SCR MACH RD HD 6-32X1.00L	4	31	002282	SCR CAP HEX HD .250-20X2.50L	1
10	027131	BRG,FLANGE—.500ID.750OD.500W	2	32	002371	SCR TPG F PAN HD 10-24X.625L	1
				33	027136	RELAY,DPDT—24VDC,10AMPS	1
11	004351	RING,RTNG—EXT,.500 SHAFT, "E"	2	34	005313	SCR TPG F PAN HD 8-32X.312L	2
12	003283	NUT,HEX—.250-20,ZN PLT	4	35	056623	STRAP,CONDUIT—1IN RIGID	1
13	002278	WSHR LK .262ID.489QD.062TSPLT	4	36	027137	ACTUATOR—36V,75LBS,3IN STROKE	1
14	048268	SPACER,PLSTC—.500X.625, .500L	4	37	002267	SCR CAP HEX HD .250-20X1.50L	1
15	048269	BAR,STL—.187X.750X 4.00 LONG	2	38	004254	WSHR LK .267ID.510OD.028T EXT	1
16	004369	WSHR SHLDR.250ID.562OD.120T,NY	4	39	049343	SPACER,STL—.375X.500, .437L,Z	1
17	002269	SCR CAP HEX HD .250-20X1.25L	4	40	026504	SOLENOID—SWITCH,SPNO,36VDC	4
18	056597	SPRING,COMP .480D 2.75L .045WD	2				
19	004212	WSHR LK .326ID.586OD.078TSPLT	4	41	054845	GROM—3.00ID,3.50MHD,.12PA	1
20	003242	SCR CAP HEX HD .312-18X.500L	4	42	005316	SCR TPG F PAN HD 10-24X.375L	4
				43	053296	ROD,STL—.312 DIA., 6.00 LONG	1
21	027138	CONTROL—DC,PROGRAMMABLE	1	44	004297	PIN,COTTER—.094X .750 LONG	2
22	056672	GROM—2"IDX2.44MHDX.12PA	1	45	048987	COLLAR-CENTERING SPRING	2
23	055434	GROM—1.0ID,1.25MHD,.125PA	1				

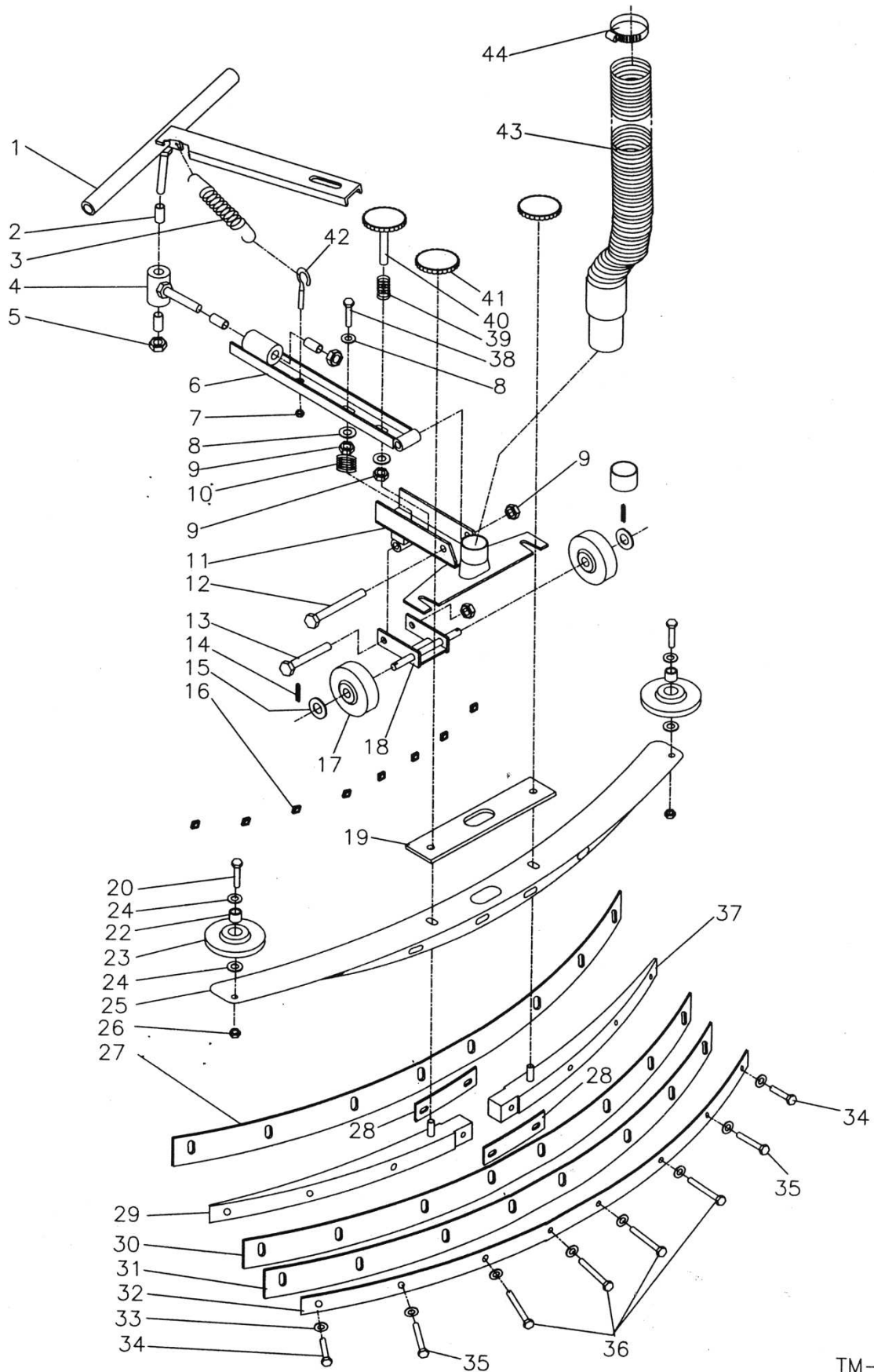
TM-1458

816-472-1244





# SB34/SB85 SQUEEGEE ASSEMBLY



TM-1457

# SB34/SB85 SQUEEGEE PARTS LIST

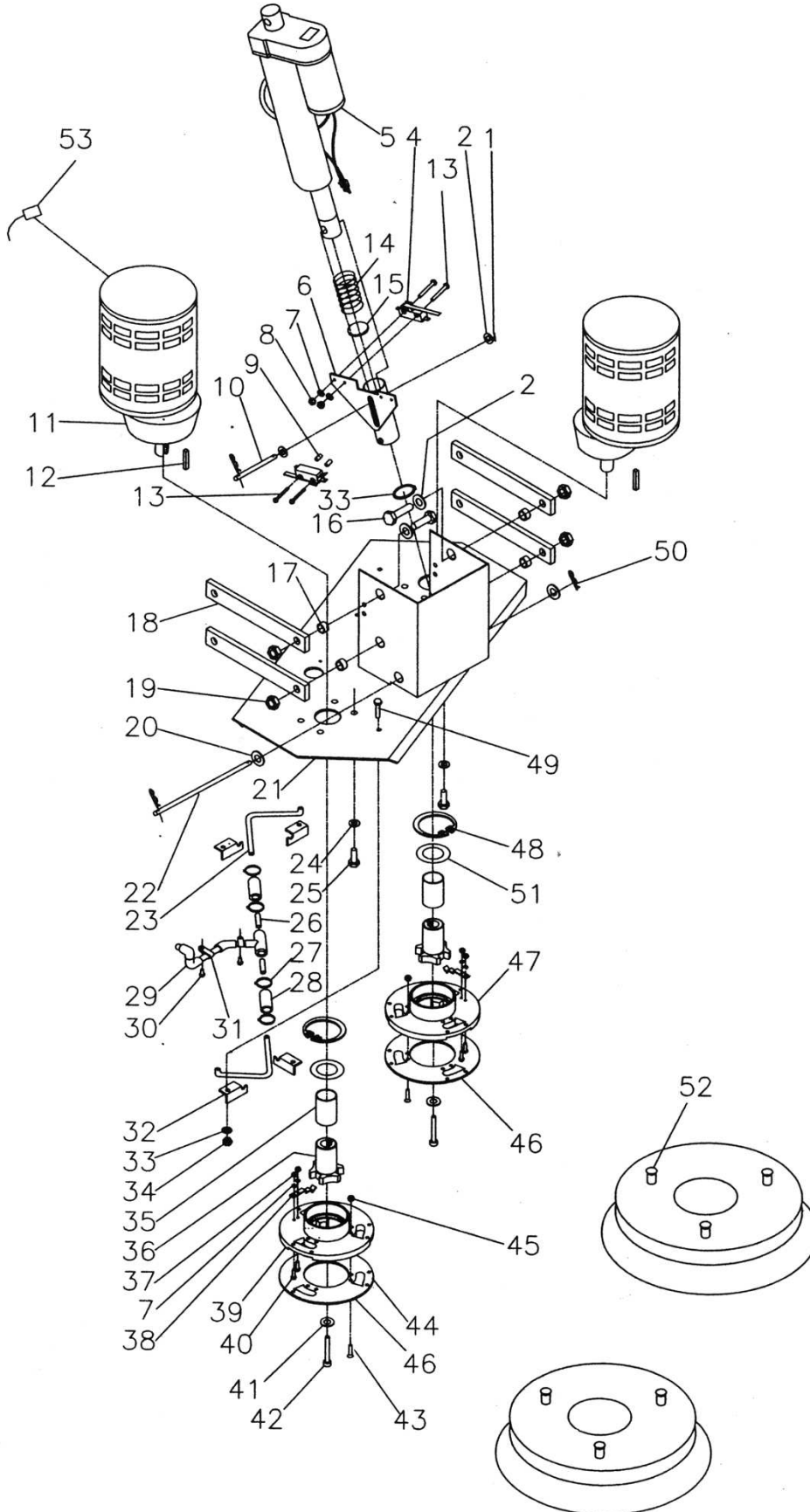
DET.	PART NO.	DESCRIPTION	QUANT.	DET.	PART NO.	DESCRIPTION	QUANT.
1	035139	WDMT,SQUEEGEE LIFT—33&39AUTO	1	24	004218	WSHR FLT .344ID.750OD.060T STL	4
2	027171	BRG,SLV— .500ID, .625OD,.750W	4	25	035100	WDMT,SQUEEGEE—33AUTO	1
3	051136	SPRING,EXT .750D 2.92L .104WD	1	26	003378	NUT,HEX LOCK—.312-18,ZN PLT	2
4	035150	WDMT,SQUEEGEE PIVOT—33&39AUTO	1	27	056428	RUBBER,SQUEEGEE—33AUTO,FRONT	1
5	003370	NUT,HEX LOCK—.500-13,ZN PLT	2	28	056461	CLAMP,SQUEEGEE—11GA,5.00L	2
6	035137	WDMT,SQUEEGEE BAR—33&39AUTOS	1	29	056454	SPACER,SQUEEGEE—33AUTO,LEFT	1
7	005479	NUT,HEX LOCK—.250-20,NYLOC,ZN	1	30	056429	RUBBER,SQUEEGEE—33AUTO,REAR	1
8	005219	WSHR FLT .406ID1.00OD.071T STL	4	31	056430	RUBBER,SQUEEGEE—33AUTO,BACKUP	1
9	003368	NUT,HEX LOCK—.375-16,ZN PLT	4	32	056455	STRAP,SQUEEGEE—33AUTO	1
10	056808	SPRING,COMP—.970D,.750L,.072W	1	33	004531	WSHR FLT .281ID.625OD.080T,SS	8
11	035138	WDMT,SQUEEGEE BRACKET—33&39	1	34	002454	SCR CAP HEX HD .250-20X1.50L	2
12	002445	SCR CAP HEX HD .375-16-2.50L	1	35	002476	SCR CAP HEX HD .250-20X2.00L	2
13	003268	SCR CAP HEX HD .375-16X3.00L	1	36	002455	SCR CAP HEX HD .250-20X2.50L	4
14	005383	PIN,COTTER—.094X1.000 LONG	2	37	056434	SPACER,SQUEEGEE-33AUTO,RIGHT	1
15	004223	WSHR FLT .406ID.625OD.036T STL	2	38	002332	SCR CAP HEX HD .375-16X1.75L	1
16	005591	NUT,SELF RETAINING—.250-20	8	39	056585	SPRING,COMP .845D 1.75L .085WD	1
17	057193	WHEEL,PLASTIC—3"OD,3/8"BORE	2	40	035163	ASM,KNOB—ADJUSTMENT,.375-16	1
18	034172	WDMT,BRACKET—SQUEEGEE WHEEL	1	41	047484	KNOB	2
19	056466	GASKET,SQUEEGEE—.187X2,9.75L	1	42	005594	BOLT,EYE—.250-20,X1.0 SHANK	1
20	003249	SCR CAP HEX HD .312-18X1.25L	2	43	035302	ASM,HOSE—SQUEEGEE,1.5DIA,BLK	1
22	053699	SPACER,STL—.312X.437,.43L	2	44	046688	CLAMP,HOSE—1.75 MAX DIA,WORM	1
23	053720	WHEEL—4.00DIA,.438BORE,.688HB	2				

## AVAILABLE ASSEMBLIES

035133 ASM, SQUEEGEE--INCLUDES ITEMS 16, 19-37  
 035140 ASM, SQUEEGEE LINKAGE--INCLUDES ITEMS 1-18, 38-41

TM-1457

# SB34/SB85 BRUSH HEAD ASSEMBLY



# SB34/SB85 BRUSH HEAD PARTS LIST

DET. PART NO.	DESCRIPTION	QUANT.	DET. PART NO.	DESCRIPTION	QUANT.		
1	005200	PIN,COTTER—.125X1.000 LONG	1	28	051514	TUBE,VINYL—.500X.750, 2.25L	2
2	004238	WSHR FLT .531ID1.00OD.071T STL	4	29	035333	ASM,TUBE—PVC,SOL,33"	1
3	005227	WSHR FLT .531ID.875OD.036T STL	2	30	005316	SCR TPG F PAN HD 10-24X.375L	2
4	026603	SWITCH,LVR—DPST,20A,125-250V	2				
5	024368	ACTUATOR,DC—36V,500LBS,6IN	1	31	051474	CLAMP,LOOP—.609 CLOSED I.D.	2
6	035120	WDMT,ACTUATOR TUBE—BRUSH LIFT	1	32	053277	BRACKET,SOLN TUBE—.75X.75X1.8	4
7	004250	WSHR LK .148ID.250OD.031TSPLT	8	33	046762	RiNG,RTNG—INT,1.18 CYL,N5000	1
8	003274	NUT,HEX— 6-32,ZN PLT	4	34	003363	NUT,HEX LOCK—.250-20,ZN PLT	4
9	046425	SPACER,PHEN—.250X.437, .250L	2	35	056464	TUBE,SS—1.50OD,16GA,1.937L	2
10	056155	PIN—ACTUATOR	1	36	056445	SHAFT,DRIVE—BRUSH,AUTOS	2
				37	003466	NUT,HEX— 6-32,SS	4
11	024440	ASM,MTR&GEAR UNIT—36V,W/RINGS	2	38	056468	CLIP,RETAINING—BRUSH LUG	2
12	056527	KEY,SQUARE—.250SQ,1.50L	2	39	056447	HUB,DRIVE—BRUSH,AUTOS,RIGHT	1
13	005261	SCR MACH RD HD 6-32X1.25L	4	40	001515	SCR MACH PAN HD 6-32X.500L	4
14	054427	SPRING,COMP—1.09D 2.50L.135WD	1				
15	056639	PLATE,STL—13GA,1.125DIA	1	41	005358	WSHR LK—.326ID.586OD.078T SPL	2
16	003270	SCR CAP HEX HD .500-13X1.25L	4	42	002474	SCR CAP SOC HD .312-18X2.00L	2
17	056473	SPACER,STL—.531X.750C .218L,Z	4	43	002473	SCR MACH FLAT HD 10-24X.875L	12
18	056254	BAR,STL—.375X1.25, 9.25L	4	44	057159	PLATE,SS—BRUSH MTG RING,RIGHT	1
19	003370	NUT,HEX LOCK—.500-13,ZN PLT	4	45	222224	NUT,HEX LOCK— 10-24,ZN PLT	12
20	005219	WSHR FLT .406ID1.00OD.071T STL	2	46	057160	PLATE,SS—BRUSH MTG RING,LEFT	1
				47	056446	HUB,DRIVE—BRUSH,AUTOS,LEFT	1
21	035078	WDMT,BRUSH HEAD—33 DURASCRUB	1	48	004529	RING,RTNG—INT,2.375 BORE	2
22	056474	SHAFT,STL—.375DIA, 8.00L	1	49	002459	SCR CAP HEX HD .250-20X.500LSS	4
23	055297	TUBE,FORMED—AUTO,SOLN,RIGHT	2	50	004352	PIN,LOCK—.125 DIA WIRE	2
24	004214	WSHR LK .390ID.683OD.094TSPLT	8				
25	003262	SCR CAP HEX HD .375-16X1.00L	8	51	004548	WSHR FLT 1.770ID2.342OD.078T	2
26	055296	TUBE,VINYL—.313X.500,1.75L	2	52	005630	LUG,BRUSH—.250-20 THREAD	6
27	051117	CLAMP,HOSE—.875 MAX DIA,WORM	4	53	039276	BRUSH,MTR—FOR 024372&027153	8

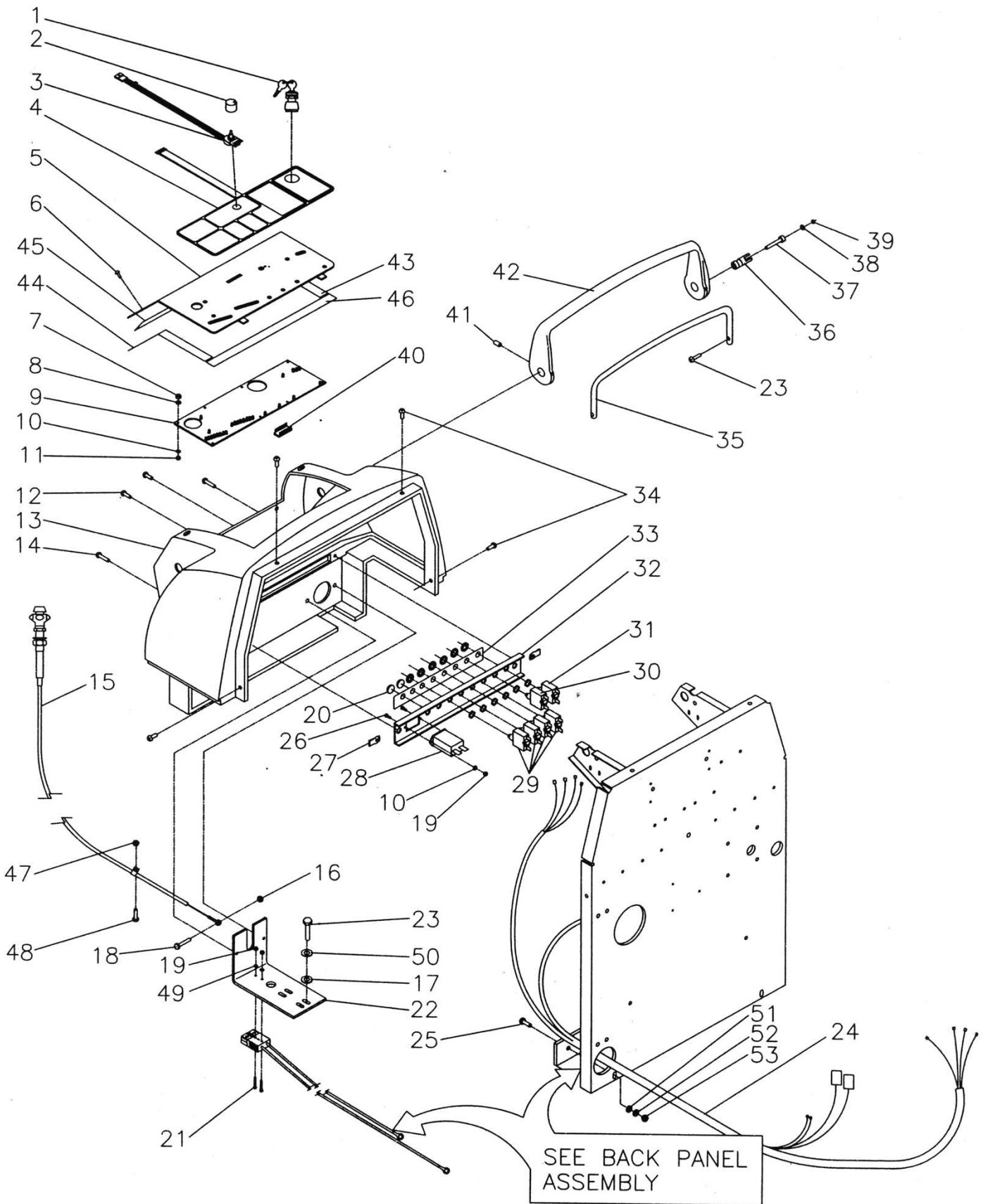
PAD HOLDER 3322068

PAD GRAB 3330082

## AVAILABLE ASSEMBLIES

- 035079 ASM, BRUSH HEAD--INCLUDES ITEMS 1-51, 53
- 035121 ASM, SOLUTION LINE--INCLUDES ITEMS 23, 26-31
- 035131 ASM, DRIVE HUB, RIGHT--INCLUDES ITEMS 7, 35-45, 48, 51
- 035132 ASM, DRIVE HUB, LEFT--INCLUDES ITEMS 7, 35-38, 40-43, 45-48, 51

# SB34/SB85 REAR COVER ASSEMBLY



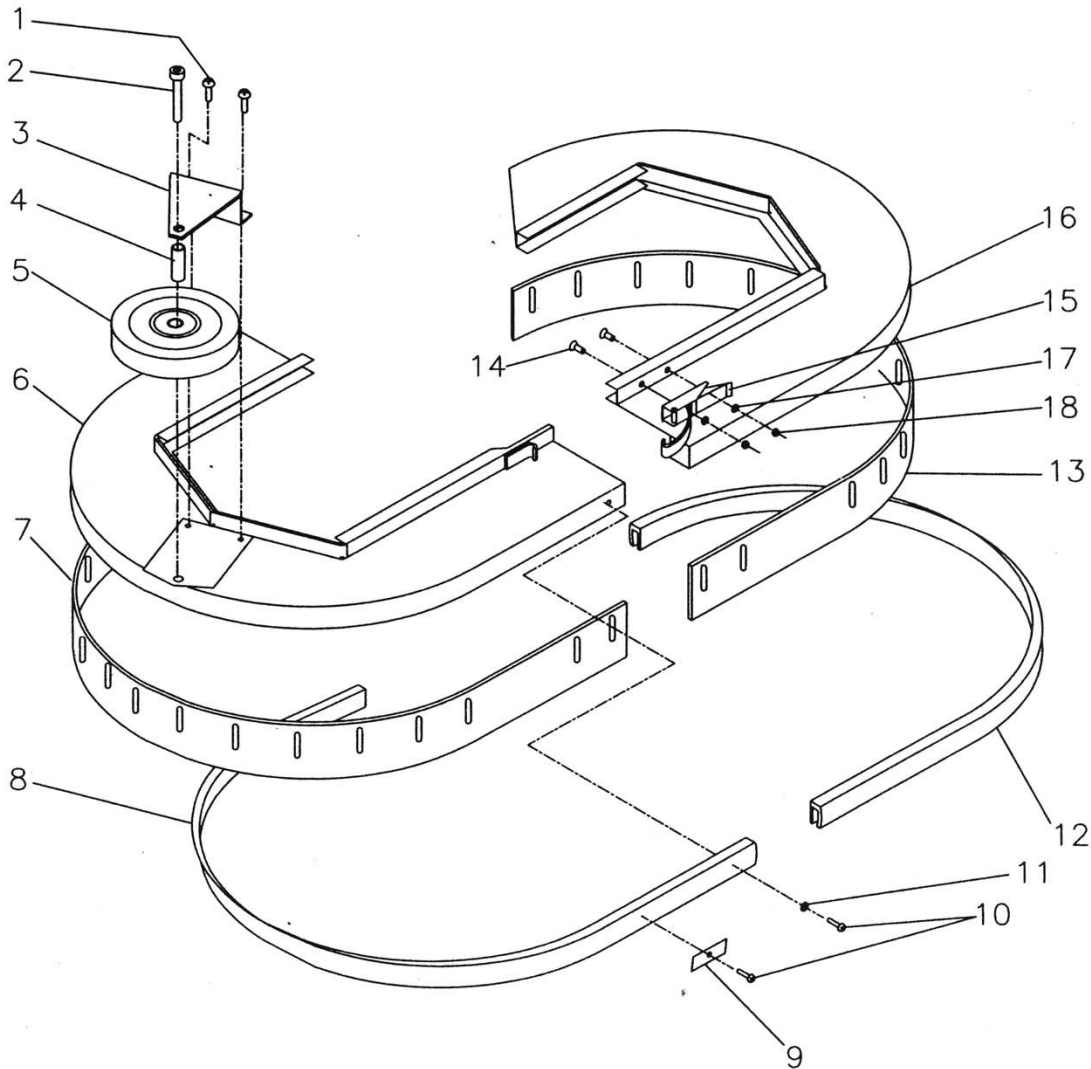
# SB34/SB85 REAR COVER PARTS LIST

DET.	PART NO.	DESCRIPTION	QUANT.	DET.	PART NO.	DESCRIPTION	QUANT.
1	026584	STARTER-SWITCH-LOCKING	1	28	027147	HOURLMETER—10-80VDC,RECTANG	1
2	056596	KNOB,PLASTIC—BLACK,.92DIA X.95	1	29	026198	CIRCUIT BREAKER—30AMP,SCR TRM	4
3	027157	ASM,POTENTIOMETER—W/PLUG	1	30	026751	CIRCUIT BREAKER—10AMP	1
4	027128	SWITCH PANEL—MEMBRANE,AUTOS	1	31	027146	CIRCUIT BREAKER—1.5AMP	1
5	035128	WDMT,INSTR PANEL—33&39	1	32	056499	PANEL,CIRCUIT BREAKER—AUTOS	1
6	002382	SCR TPG F PAN HD 10-B X.500L	6	33	056649	LABEL,IDENT—CIRCUIT BREAKERS	1
7	046425	SPACER,PHEN—.250X.437,.250L	8	34	002371	SCR TPG F PAN HD 10-24X.625L	4
8	004200	WSHR FLT,.156ID.310OD.065T BRS	8	35	056595	HANDLE,STL—.625DIA,PAINTED	1
9	026114	BOARD,CIRCUIT—SYSTEM,39 AUTO	1	36	056359	SHAFT,STL—.750DIA,1.75L	2
10	004249	WSHR LK .150ID.320OD.022T EXT	10	37	002337	SCR CAP SOC HD .250-20X1.50L	2
11	003274	NUT,HEX— 6-32,ZN PLT	8	38	004208	WSHR FLT .281ID.500OD.036T STL	2
12	002343	SCR TPG F PAN HD .250-20X.500L	2	39	056761	RING,RTNG—INT,.500BORE,N5000	2
13	056368	COVER,REAR—MACHINED,AUTOS	1	40	027156	MICROCONTROLLER—STD	1
14	002334	SCR MACH RD HD .250-20X.750L	2	41	005387	SCR SET CUP PT .312-18X.500L	2
15	056323	ASM,CABLE—BRAKE,VERNIER CNTRL	1	42	056594	HANDLE,ACTUATOR—AUTOS,PAINTED	1
16	005479	NUT,HEX LOCK—.250-20,NYLOC,ZN	2	43	057308	GASKET—.125x.500,8.656L,LEFT	1
17	004254	WSHR LK .267ID.510OD.028T EXT	4	44	057309	GASKET—.125x.500,8.656I	1
18	005456	SCR MACH PAN HD 10-24X.500L	2	45	057310	GASKET—.125x.500,11.75L	1
19	003274	NUT,HEX— 6-32,ZN PLT	4	46	057306	GASKET—.125x.500,13.75L,TOP	1
20	057103	PLUG,BUTTON—.500MHD,BLACK,PLS	2	47	005480	NUT,HEX LOCK— 10-24,NYLOC	1
21	001248	SCR MACH RD HD 6-32X1.00L	2	48	002243	SCR CAP HEX HD .250-20X.625L	1
22	056840	BRACKET,STL—11GA,BRAKE	1	49	004250	WSHR LK .148ID.250OD.031TSPLT	2
23	005478	SCR MACH RD HD .250-20X.500L	2	50	002278	WSHR LK .262ID.489OD.062TSPLT	2
24	027140	HARNESS,WIRE—MAIN,DURASCRUB	1	51	004218	WSHR FLT .344ID.750OD.060T STL	2
25	003244	SCR CAP HEX HD .312-18X.750L	2	52	004212	WSHR LK .326ID.586OD.078TSPLT	2
26	223188	SCR MACH PAN HD 6-32X.500L	2	53	003349	NUT,HEX—.312-18,ZN PLT	2
27	003429	NUT,SPEED,U—.250-20,.58X1.125	2	54	057243	KEY,AUTOMATICS—FOR P/N 026584	1

## AVAILABLE ASSEMBLIES

035127 ASM, INSTRUMENT PANEL--INCLUDES ITEMS 1, 2, 4, 5, 7-11, 40, 43-46

# SB34/SB85 BRUSH COVER ASSEMBLY



TM-1462

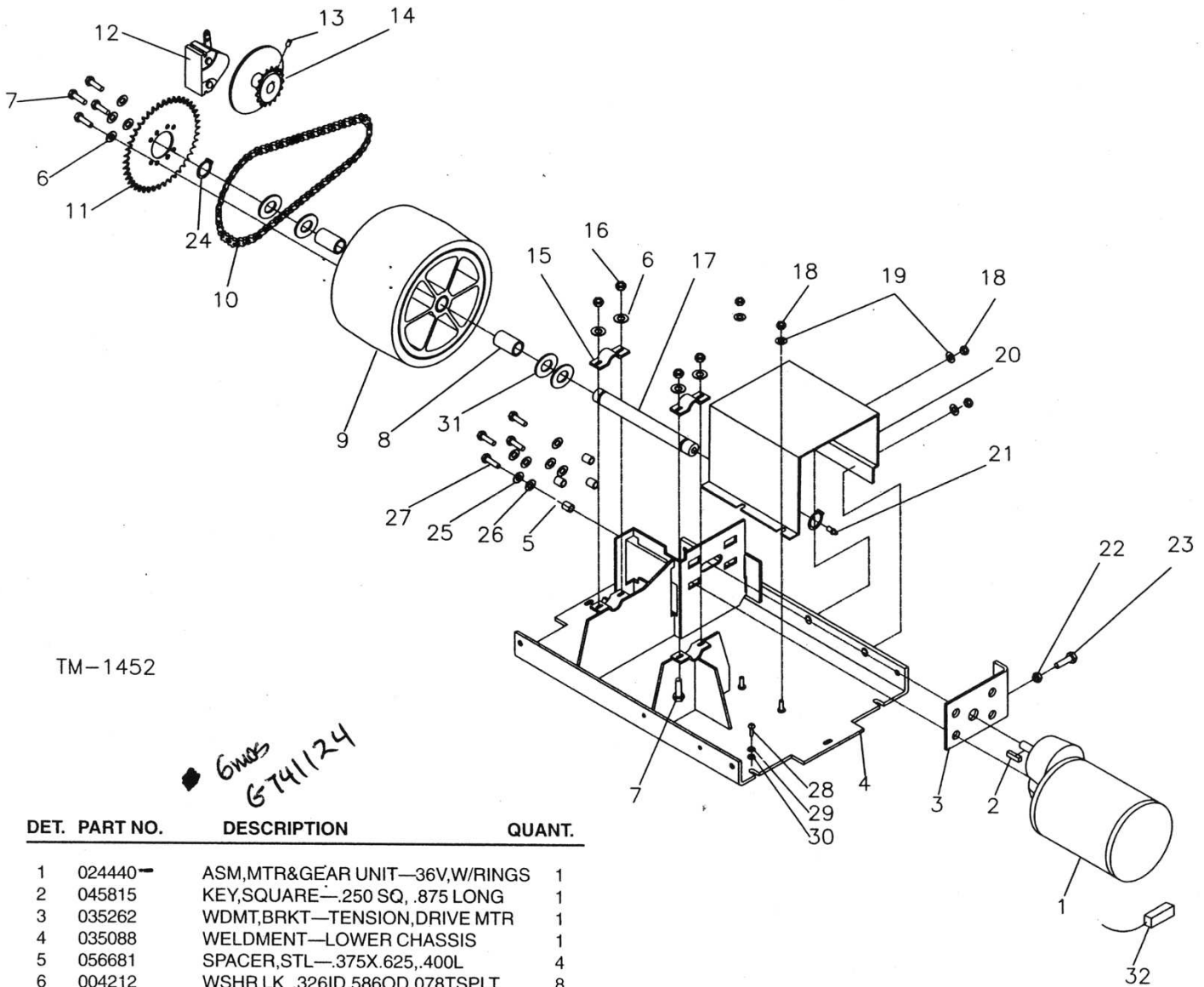
DET. PART NO.	DESCRIPTION	QUANT.	DET. PART NO.	DESCRIPTION	QUANT.		
1	002357	SCR MACH PAN HD .250-20X.625L	2	10	004542	SCR TPG F PAN HD 10-24X.875L	22
2	005536	SCR CAP SOC HD .375-16X2.00L	1	11	005323	WSHR FLT .203ID.500OD.036T STL	4
3	056701	BRACKET,BUMPER WHEEL-27 AUTO	1	12	056939	CHANNEL,VINYL-BRUSH CVR,27,LT	1
4	056684	SPACER,STL-.500X17GA,1.50L,Z	1	13	056937	GUARD,SPLASH-27 AUTO,LEFT	1
5	056673	WHEEL,BLACK-5" OD	1	14	001288	SCR MACH FLAT HD 10-24X.500L	2
6	035281	WDMT,BRUSH COVER-27 AUTO,RT	1	15	054306	CLAMP,TOGGLE-BLACK,1.62 LATCH	1
7	056936	GUARD,SPLASH-27 AUTO,RIGHT	1	16	035282	WDMT,BRUSH COVER-27 AUTO,LEFT	1
8	056938	CHANNEL,VINYL-BRUSH CVR,27,RT	1	17	003279	NUT,HEX- 10-24,ZN PLT	2
9	052006	STR,STL-.062X.437X1.50 LONG	18	18	005297	WSHR LK .200ID.334OD.047TSPLT	2

## AVAILABLE ASSEMBLIES

- 035124 ASM, BRUSH COVER, LEFT--INCLUDES ITEMS 9-18
- 035125 ASM, BRUSH COVER, RIGHT--INCLUDES ITEMS 1-11

TM-1466

# SB34/SB85 CHASSIS ASSEMBLY AND PARTS LIST



TM-1452

6 mos  
6-741124

DET.	PART NO.	DESCRIPTION	QUANT.
1	024440	ASM,MTR&GEAR UNIT—36V,W/RINGS	1
2	045815	KEY,SQUARE—.250 SQ, .875 LONG	1
3	035262	WDMT,BRKT—TENSION,DRIVE MTR	1
4	035088	WELDMNT—LOWER CHASSIS	1
5	056681	SPACER,STL—.375X.625,.400L	4
6	004212	WSHR LK .326ID.586OD.078TSPLT	8
7	003244	SCR CAP HEX HD .312-18X.750L	8
8	027130	BEARING,SLEEVE—1"ID,1.25"OD	2
9	035097	ASM,WHEEL—10"OD,AUTO'S	1
10	056448	CHAIN,ROLLER—#40,70LK&CONN	1
11	051376	SPROCKET,CHAIN—#40,.500P,44T	1
12	056245	BRAKE,MECHANICAL—CALIPER	1
13	002234	SCR SET CUP PT .250-20X.500L	1
14	035141	WDMT,SPROCKET—DURASCRUB	1
15	056327	CLAMP,AXLE—BLACK	2
16	003349	NUT,HEX—.312-18,ZN PLT	4
17	056258	AXLE—1.00 DIA X 9-5/16"L	1
18	003283	NUT,HEX—.250-20,ZN PLT	4
19	002278	WSHR LK .262ID.489OD.062TSPLT	4
20	056405	COVER,MOTOR—AUTOMATICS	1

DET.	PART NO.	DESCRIPTION	QUANT.
21	054330	ZERK,GREASE—.250-28 THREAD	1
22	003294	NUT,HEX JAM—.375-16,ZN PLT	1
23	002332	SCR CAP HEX HD .375-16X1.75L	1
24	048537	RING,RTNG—EXT,.984 SHAFT,5160	2
25	004214	WSHR LK .390ID.683OD.094TSPLT	4
26	004384	WSHR FLT .406ID.875OD.064T STL	4
27	003264	SCR CAP HEX HD .375-16X1.25L	4
28	003259	SCR CAP HEX HD .375-16X.625L	4
29	004215	WSHR LK .398ID.694OD.040T EXT	4
30	004318	WSHR FLT .375ID1.06OD.120T STL	4
31	004330	WSHR FLT 1.05ID1.50OD.036T STL	4
32	039276	BRUSH,MTR—FOR 024372&027153	4

## AVAILABLE ASSEMBLIES

035096 ASM, LOWER CHASSIS--INCLUDES ITEMS 1-32

TM-1452